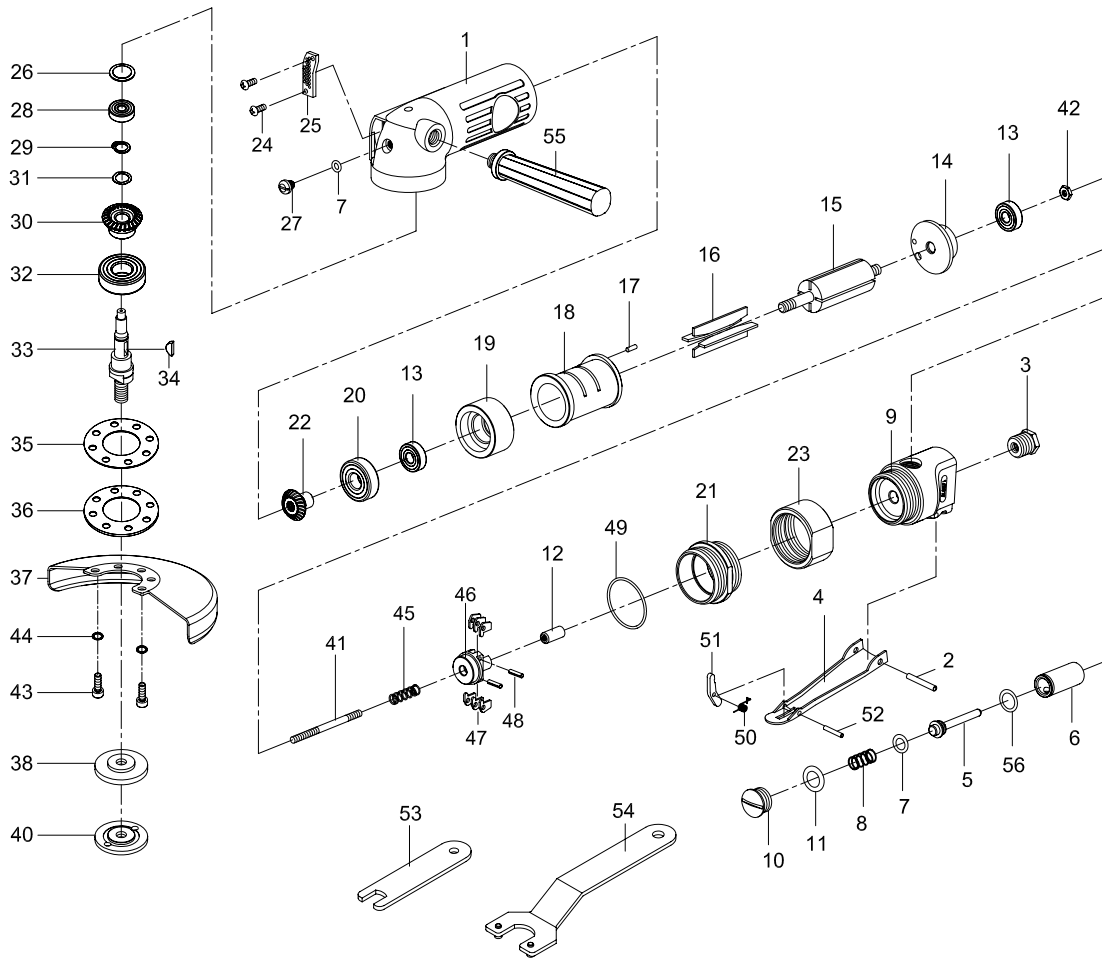


5" GOVERNED DISC GRINDER



Index No.	Parts No.	Description	Index No.	Parts No.	Description
1	61901	Motor Housing	29	60319	Retaining Ring (STW-10)
2	61902	Spring Pin (4x28)	30	61930	Bevel Gear
3	30103	Air Inlet	31	61931	Wave Washer (WW-10)
4	61904	Throttle Lever	32	061932	Ball Bearing (6202zz)
5	61905	Valve Stem	33	61933	Spindle (3/8"-24UNF)
6	61906	Bushing	34	61934	Key (3x13)
7	61907	O-Ring (2) (4.9x2.2)	35	61935	Gasket
8	61908	Valve Spring	36	61936	Retainer
9	61909	Throttle Valve Housing	37	619537	Disc Cover
10	61910	Throttle Lever Plug	38	619542	Flange (3/8"-24UNF)
11	60307	O-Ring (10x2)	40	619541	Flange Nut (3/8"-24UNF)
12	61912	Plunger	41	61941	Adjust Screw
13	030120	Ball Bearing (2) (608zz)	42	61942	Adjust Nut
14	61914	End Plate	43	40343-12	Screw (4) (M5x16)
15	61915	Rotor	44	40344	Spring Washer (4) (M5)
16	61916	Vanes (4)	45	61945	Spring
17	40317-14	Spring Pin (3x8)	46	61946	Governor
18	61918	Cylinder	47	61947	Pendulum (6)
19	61919	Front End Plate	48	40317-13	Spring Pin (2) (3x12)
20	080227	Ball Bearing (6201z)	49	61949	O-Ring (37.8x1.78)
21	61921	Lock Nut	50	61950	Torsion Spring
22	61922	Bevel Gear	51	61951	Throttle Lever Lock
23	61923	Coupling Nut	52	40337	Spring Pin (3x18)
24	40309	Screw (2) (TS2.9)	53	61953	Spanner
25	61925	Deflector	54	619554	Pin Wrench
26	61926	Spacer	55	61955	Handle
27	61927	Screw (M6x6)	56	52236	O-Ring (10.5x1)
28	030113	Ball Bearing (626zz)			