

# timberk

Руководство по эксплуатации  
Instruction manual

Электрический  
инфракрасный  
обогреватель

Electric patio  
heater (infrared  
heater)



Модель/Model

TIR HP1 1500  
TIR HP1 1800

Производитель вправе менять внешний вид прибора и цветовую гамму прибора без специального уведомления  
Outlook of devices, aslo colour scores can be revised without any special advance notices.

## Dear Customer!

Thank you for good choice and purchase of the Timberk infrared heater. It will serve long.

Electric infrared heater Timberk is designed for general, additional or local heating of living and production premises, and also can be used outdoors. The heater can be installed on the ceiling, ceiling constructions, wall, rack mounting horizontal arrangement of a longitudinal axis. In places where it is possible to connect to the electrical wiring with single-phase power supply to ~220 V, This heater is effective and efficient in use in connection with the minimal losses of electricity.

## 1. IMPORTANT INFORMATION

Please carefully read the Operation Manual before using the infrared heater.

This Operation Manual contains the important information on your safety, as well as some recommendations on proper use of the appliance and its maintenance.

Keep the Operation Manual along with the warranty certificate, sales receipt, and, if possible, cardboard package and packing material.

The purchased infrared may somewhat differ from one described in the Manual, but this does not affect the methods of use and operation.

Important precautions and instructions given in this Manual do not include all possible modes and situations, which can be encountered. It is necessary to understand that common sense, cautiousness, and carefulness are the factors, which cannot be "integrated" to any product. These factors should be considered by the person, who is interested in proper operation of the device. The manufacturer is not responsible for damage of the appliance or its components during transportation, as a result of incorrect installation, as a result of voltage surges, as well as in the event of changes or modifications in any part of the appliance.

## WARNING!

This heater is not equipped with a device to control the room temperature. Do not use this heater in small rooms when they are occupied by persons not capable of leaving the room on their own, unless constant supervision is provided.

After the heater is fixed on the base and poles, the heater must be at least 1.8 meter above the ground.

## 2. PRECAUTIONS

During use of the infrared heater, it is necessary to observe some precautions. Improper operation with disregard of precautions may result in infliction of harm to health of the user and other people, as well as in infliction of damage to their property.

1. Read all instructions before using the heater.
2. The temperature of the safety grille and body at the heater can reach very high values. To avoid burns, do not touch the hands and other body parts to the surfaces of the device, as well as prevent the ability to touch, including accidental person in the heater through training and the placement of the device in a safe place.
3. The heater should be placed far from flammable and easily deformable objects.
4. The device is not equipped with the device temperature adjustment. Do not use the device in small rooms, when they are people or animals who cannot leave on their own.
5. The power cord and other objects should not contact hot surfaces of the heater.
6. Make sure that the heater body and its radiating boards get cold before demounting and placing the heater to the package for long storage.
7. During demounting of the heater or its movement, take special precautions to exclude hits of the appliance and its falling.
8. When the heater is not used for a long time, keep it in dry cool place in the factory cardboard package.
9. DO NOT COVER the heater. Do not dry clothes and any other fabrics/materials on the appliance. This may lead to its overheating, breakdown, or infliction of a significant damage to you and/or your property.
10. The heater should be connected to the electric mains equipped with an automatic circuit breaker.
11. If you plan to use the device in the bathroom or rooms with high humidity, it must be installed so that the user could not touch the appliance, including by accident. The device should not be exposed directly to water stream or direct ingress of moisture on the instrument housing.
12. Never try to repair the heater yourself. This may inflict harm to your health and affect the warranty service of the appliance.
13. Do not use this device in the place of permanent location of the animals or plants.
14. It is prohibited to use a heater near inflammable, easily deformable items and/or substances.

15. Exclude operation of the heater without grounding.
16. Do not leave the appliance unattended during its operation.
17. Throughout enable and use the heater with the removed elements of the enclosure.
18. Do not operate any appliance with a damaged cord or plug. A damaged power cord must be replaced by an authorized service center for the manufacturer.
19. It is prohibited to use the heater in dusty rooms and during redecoration.
20. During operation of the device is forbidden to touch the case and its protective grille.
21. Use the heater only as described in this Manual. Any other use not recommended by the manufacturer may lead to fire, electric shock, or injuries of people.
22. Never clean the heater, when it is connected to the electric mains, and do not wipe the heater radiating boards with flammable liquids during its operation.
23. For normal operation of the heater, the mains voltage should be sufficient and the mains specifications should strictly correspond to the technical parameters indicated on the appliance body. If necessary, clarify the specifications of your mains from the electricity supplier.
24. Install and operate the heater with horizontal arrangement of a longitudinal axis on the ceiling, ceiling constructions, wall. The thermal resistance of the material shall be not less than 80°C.
25. It is prohibited to install the appliance in immediate proximity to an electric socket. This may result in its overheating causing an emergency situation.
26. The appliance is not designed for use by people (including children) with limited physical, sensory, or mental capabilities and having insufficient experience/knowledge, if they are not supervised and instructed on use of the device by a person responsible for their safety. It is necessary to watch that children do not play with the heater.

### 3. WORKING PARAMETERS

#### Operation principle

The infrared heater is an appliance with an electric heating element and radiating boards, which upon heating emit heat to the environment via

directed infrared radiation. Radiant energy is absorbed by the surrounding surfaces and it heats them being transformed to thermal energy.

Surface temperature of objects can be different depending on their absorbing properties (surface color, material), incidence angle of infrared beams, surface shape and area. Surfaces also release some heat to air. At that, heated air flows up to the ceiling and gradually cools down. As a result, air temperature at the head level of a standing person appears below the floor temperature by 1-2 °C.

#### Main features

1. Significant economic effect as compared to convectional heating, where heat is significantly consumed for heating of unused roof space (first, air is heated throughout the room volume, and then air heats objects and surfaces in the room).
2. Capability of local heating only for those areas in the room, where it is necessary, without heating of the whole room volume.
3. Low air temperature in the room at comfortable temperature on surfaces of objects, floor, and walls creates the freshness effect air is not dried up.
4. Low convection (thermal movement of air volumes) reduces amount of dust kicked up from the floor.
5. High protection class of the device (IP65) allows to apply the device in environments with the most adverse conditions.
6. The possibility of using the device in a portable rack. (Portable stand comes separately as accessory)

#### Area of application

Infrared heaters are designed for general, additional, and local heating of industrial, production, utility, and similar rooms (flats, offices, trade enterprises, exercise rooms, educational institutions, public catering enterprises, storage facilities, hangars, agricultural facilities, etc.) and can be used outdoors.

## Technical specifications

Technical specifications of the TIR HP1 infrared heater are given in Table 1.

Table 1

Name	Unit of measure	Model name	
		TIR HP1 1500	TIR HP1 1800
Rated power consumption	W	1500	1800
Rated current	A	6,8	8,2
Rated voltage	V/Hz	~220/50	~220/50
Water protection class	-	IP65	IP65
Electric protection class	-	I	I
Heating area	m <sup>2</sup>	14-16	17-19
Rated suspension height	m	2,0	2,2
Weight	kg	2,4	2,6
Dimensions	mm	133x558x88	133x658x88

For more detailed description of technical parameters and specifications please refer to our website [www.timberk.com](http://www.timberk.com) or ask from the official dealers of TIMBERK.

The manufacturer reserves the right to change the set-list of the device (including liquid and powder components) for different supplies without prior notice. The changes either in no way influence the basic technical parameters of the device or may improve them, and also not violate the legislation or quality standards of the countries of manufacture, transit and selling.

The changes in the set-list may result in changing of the weight and dimensions of the device, but not more than by  $\pm 5-20\%$  (depending on the product category)

## 4. INFRARED HEATER DESCRIPTION (FIG. 1)

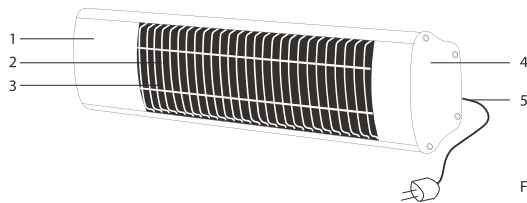


Fig. 1

## Infrared Heater description

1. Heater body
2. Protective grille
3. Heating element
4. Cover
5. Power cord and plug

## 5. DELIVERY SET

1. Infrared heater – 1 pcs
2. Fasteners kit – 1 pcs
3. Operation manual – 1 pcs
4. Warranty certificate – 1 pcs
5. Package – 1 pcs



### NOTE:

To improve the product quality, the design and technical specifications of the infrared heater, as well as its delivery set can be modified by the manufacturer without preliminary notification.

## 6. INSTALLATION



### WARNING!

Mounting of the infrared heater and its connection to the electric mains should be carried out only by qualified specialists according to the Electrical Installation Regulations and Power System Safety Standards.

1. Expand the original packaging and carefully remove the heater.
2. Remove the mounting kit
3. Collect the installation wall mount holes as shown in Fig. 2
4. Connect the hardware to the instructions shown in Fig. 3, 4, 5
5. Hang the heater on the smooth surface of the wall with the observance of the distance specified in item 6.1. Make sure that the mounting screws firmly fastened.
6. If necessary, install the heater, bracket, follow the instructions shown on Fig. 6, 7, 8, 9 and specified in item 6.3

**NOTE:**

Depending on material and design of ceiling structural elements, the heater is secured onto appropriate fasteners chosen on basis of the strength condition. Strength of the ceiling or structural elements, to which the heater is secured, should be sufficient to endure 5-fold weight of the heater.

**6.1 Safe distances required for installation**

1. Never install the unit on the surface of plastic, nylon, cardboard and other
2. After installing the unit, the distance from the floor should not be less than 1.8 meters.
3. Distance from a wall to a device must be at least of 0.65 meters.
4. The distance from the device to a ceiling should be no less than 0.3 meters.
5. The distance from the protective grille device to easily flammable (cloth, paper, plastic and other) and combustible materials must be at least 1.5-2 meters
6. The distance from the device to find the man should be not less than 1 meter

**6.2 Installation of the heater using the wall fasteners**

The installation of wall fasteners shown in Table 2

Table 2

Nº	Parts name	Specification	Qty
1	Screw	M6x20	1
2	Bracket set	Aluminum	1
3	Expansion bolt	M6x60	2
4	Hanger	STEEL	1
5	Bolt	M8x60	1
5A	Nut	M8	1

On Fig. 2, 3, 4, 5 shows stepwise instructions on assembly and installation of wall fasteners for infrared heater.

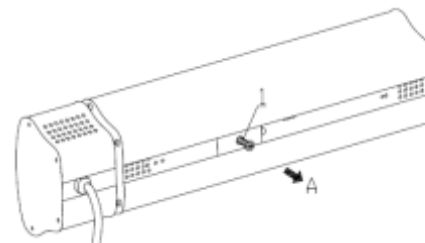


Fig. 2

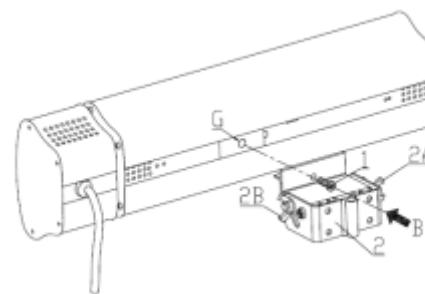


Fig. 3

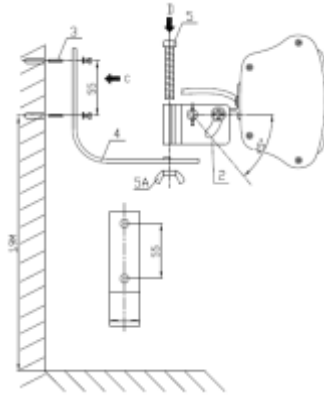


Fig. 4

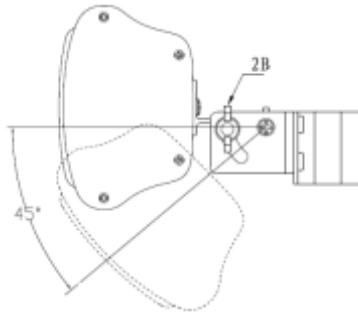


Fig. 5

### 6.3 Installing the infrared heater on a portable rack

The installation of hardware rack is provided in Table 3

Table 3

Series	Parts name	Specification	Qty
1	Screw	M6x20	1
2	Bracket set	Aluminum	1
3	Expansion bolt	M6x60	2
4	Hanger	Steel	1
5	Bolt	M8x60	1
5A	Nut	M8	1
6	Nut	M6	4
7	Bracket 3	Aluminum	1
8	Bolt	M6x10	12
9	Telescopic tube set	Steel	1
10	Telescopic tube	Steel	1
11	Telescopic tube	Steel	1
12	Base	Plastic	1
13	M8 bolt	L shpae	1
14	Fixing plate	Steel	1
15	Base cover	Steel	1
16	Bolt	M6x50	3
17	Spring washer	Φ6.2xΦ8.2x1	3
18	Washer	Φ6.2xΦ14x1	3
19	Decorative cover	Steel	1
20	Hex wrench	Steel	1
21	wire holder	PA	2
22	Telescopic tube cover	Silicone	1

On Fig. 6, 7, 8, 9 shows stepwise instructions on assembly and installation of infrared heater on the mobile rack.

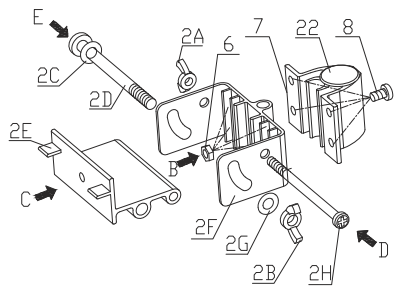


Fig. 6

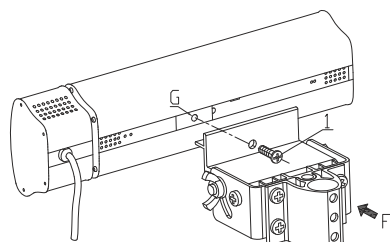


Fig. 7

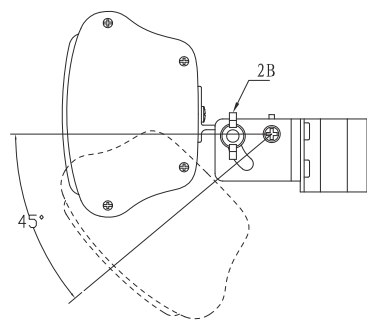


Fig. 8

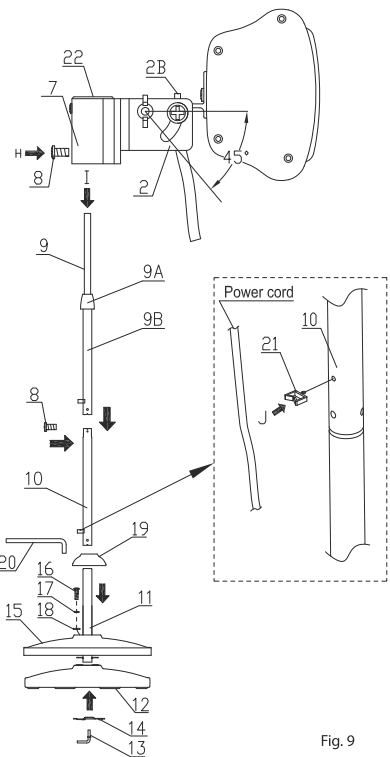


Fig. 9



#### **WARNING!**

After installation of the heater and before switching for the first time, it is necessary to wipe the radiating board with alcohol. After that, it is **PROHIBITED** to touch the radiating board.

#### **Connection to electric mains**

1. The patio heater is designed to be connected to ~220V single-phase voltage mains with a grounding circuit.
2. Prior to connection make sure that parameters of electric mains in the place of connection comply with parameters, indicated on the identification plate with technical data of the unit.
3. It is necessary to follow active electrical safety precautions, connecting the convector to electric mains.
4. An electric outlet must be properly grounded. The outlet must be designed for rated current not less than 16A for models with maximum power up to 2000W. Electric outlet and plug must always stay dry to prevent current leakage. Regularly check if the electric plug is tightly connected to the outlet. It must be done in the following order: connect an electric plug into an outlet, after half hour operation turn off the patio heater and disconnect the plug from the outlet, check if the plug is heated by your hand. If the plug heated over 50°C then replace the outlet by a new one to prevent damages, incidents, fire as a result of bad electric contact. A specialist must do the job.

#### **7 OPERATION OF THE INFRARED HEATER**



#### **WARNING!**

Warning! Please connect the cable with an industrial plug rated 3P 230V 16A IP67 of IEC 60309-2

1. Before switching on the heater, ensure that no moisture on the device and on the heating element.
2. After the first turn the heater on may appear briefly burnt smell. This is normal. If the smell persists for a long time, immediately disconnect the heater from the electric power supply and contact your service representative.

3. To exclude the appearance of burnt smell when using the heater in the future it is recommended to keep it clean, preventing the accumulation of dust on it.
4. Within several minutes after switching on the heater to the heating element may appear black dots. This is normal and does not affect the operation of the device.
5. Not recommended for long look at heater heating element, this can cause deterioration and damage to health.



#### **WARNING!**

Slight crackles may be heard during operation at the moment of heating or cooling, which disappear, when the heater reaches the working mode.

#### **8. MAINTENANCE**

1. During operation, it is necessary to periodically (once a year) check the electric cable contacts and terminal connectors for good tightening.
2. If the body becomes dirty, wipe off dust with a towelette. Radiating boards should be wiped in cold condition with alcohol.



## 9. TROUBLESHOOTING

Possible malfunctions and remedies for them are given in Table 4.

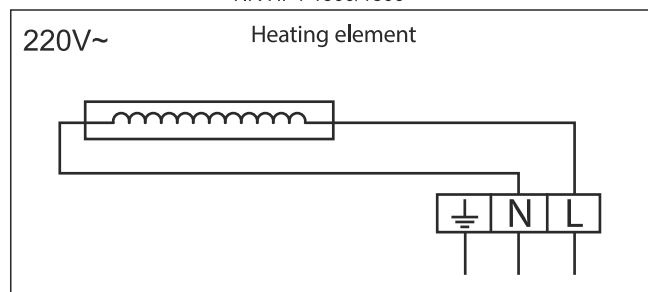
Table 4

Malfunction	Cause	Remedy
1. The heater heats poorly	1. The heating element is faulty	1. Contact the authorized service center of Timberk.
	2. Low voltage in the electric mains	2. Check voltage in the electric mains
2. The heater does not work	1. No voltage in the electric mains	1. Check presence of voltage in the electric mains
	2. Breakdown of the electric cable	2. Check integrity of the electric cable and contact the manufacturer's authorized service center
	4. Breakdown in the heating element circuit	4. Contact the authorized service center of Timberk

If you are not able to remedy a malfunction according to the recommendations or other malfunctions occur, contact the authorized service center of Timberk.

## 10. WIRING SCHEMATIC DIAGRAM

TIR HP1 1500/1800



## 11. DISPOSAL

Upon completion of the service life, the infrared heater should be disposed according to the effective local regulations, rules, and methods. For more details on disposal of the infrared heater, please contact a representative of the local authority.

## 12. WARRANTY

The warranty on the device see in the warranty certificate.



IP65



Класс защиты I

### Уважаемый покупатель!

Благодарим Вас за удачный выбор и приобретение инфракрасного обогревателя Timberk. Он прослужит вам долго.

Электрический инфракрасный обогреватель Timberk предназначен для основного, дополнительного или локального обогрева жилых и производственных помещений, а также может использоваться на открытом воздухе. Обогреватель может быть установлен на потолок, потолочных конструкциях, стене, крепежной стойке с горизонтальным расположением продольной оси. В местах, где есть возможность подключения к электропроводке с однофазным электропитанием ~230 В. Данный нагревательный прибор эффективен и экономичен в использовании в связи с минимальными потерями электроэнергии.

### 1. ВАЖНАЯ ИНФОРМАЦИЯ

Просим внимательно ознакомиться с руководством по эксплуатации перед использованием инфракрасного обогревателя. В данном руководстве по эксплуатации содержится важная информация, касающаяся вашей безопасности, а также рекомендации по правильному использованию прибора и уходу за ним.

Сохраните руководство по эксплуатации, вместе с гарантийным талоном, кассовым чеком и, по возможности, картонной упаковкой и упаковочным материалом.

Приобретенный вами инфракрасный обогреватель может несколько отличаться от описанного в руководстве, что не влияет на способы его использования и эксплуатации.

Важные меры предосторожности и инструкции, содержащиеся в данном руководстве, не включают всех возможных режимов и ситуаций, которые могут встречаться. Необходимо понимать, что здравый смысл, осторожность и тщательность являются факторами, которые невозможно «встроить» ни в один продукт.

Эти факторы должен учитывать человек, который заинтересован в надлежащей эксплуатации устройства. Изготовитель не несет ответственности в случае повреждения прибора или его отдельных частей во время транспортировки, в результате неправильной установки, в результате колебаний напряжения, а также в случае, если какая-либо часть прибора была изменена или модифицирована покупателем.

### 2. МЕРЫ ПРЕДОСТОРОЖНОСТИ

При использовании инфракрасного обогревателя, необходимо соблюдать ряд мер предосторожности. Неправильная эксплуатация в силу игнорирования мер предосторожности может привести к причинению вреда здоровью пользователя и других людей, а также нанесения ущерба их имуществу.

1. Прочитайте инструкцию перед использованием инфракрасного обогревателя.
2. Температура защитной решетки и корпуса при работе обогревателя может достигать очень высоких значений. Чтобы избежать ожогов, не прикасайтесь руками и другими частями тела к поверхностям прибора, а также предотвратите возможность прикосновения, в том числе случайного, человека к обогревателю с помощью инструктажа и размещением прибора в недоступном месте.
3. Обогреватель должен располагаться вдали от легковоспламеняющихся и легкодеформируемых объектов.
4. Прибор не оснащен устройством для регулирования температуры помещения. Не используйте прибор в небольших помещениях, когда в них находятся люди или животные, которые не могут покинуть помещение самостоятельно.
5. Не допускайте касания шнуром электропитания и другими предметами горячих поверхностей обогревателя.
6. Удостоверьтесь, что корпус обогревателя и его защитная решетка остыла, прежде чем обогреватель будет демонтирован и уложен в упаковку для длительного хранения.
7. При демонтаже обогревателя или его перемещении соблюдайте особую осторожность, не допуская ударов прибора и его падения.
8. Когда обогреватель не используется долгое время, храните его в сухом прохладном месте в заводской картонной упаковке.
9. НЕ НАКРЫВАЙТЕ обогреватель. Не сушите на нём одежду и любые другие ткани и материалы. Это может привести к его перегреву, выходу из строя или причинить значительный ущерб Вам и/или вашему имуществу.
10. Подключение обогревателя к электросети должно производиться к электрической сети, с автоматическим выключателем.
11. Если планируется использование прибора в ванной комнате или помещениях с повышенной влажностью, то он должен быть установлен таким образом, чтобы пользователь не мог касаться прибора, в том числе и случайно. Прибор не должен подвергаться прямому воздействию водяной струи или прямого попадания влаги на корпус прибора.
12. Никогда не пытайтесь производить ремонт обогревателя

самостоятельно. Это может причинить вред вашему здоровью и повлиять на гарантийное обслуживание обогревателя.

13. Не используйте данное устройство в местах постоянного нахождения животных или растений.
14. Запрещается использование обогревателя вблизи легковоспламеняющихся, легкодеформируемых предметов и/или веществ.
15. Не оставляйте прибор без присмотра во время его эксплуатации.
16. Не допускайте эксплуатацию обогревателя без заземления.
17. Запрещено включать и использовать обогреватель со снятыми элементами корпуса прибора.
18. Запрещается эксплуатация прибора с поврежденным сетевым шнуром или вилкой. Поврежденный сетевой шнур должен быть заменен в авторизованном сервисном центре производителя.
19. Запрещено эксплуатировать обогреватель в запылённых помещениях и во время проведения ремонта.
20. Во время работы прибора запрещено дотрагиваться до корпуса и его защитной решетки.
21. Используйте данный обогреватель только так, как описано в данном руководстве. Любое другое использование, не рекомендуемое изготовителем, может привести к пожару, поражению электрическим током или травмированию людей.
22. Ни в коем случае не выполняйте очистку обогревателя, когда он подключен к электросети и не протирайте излучающие пластины обогревателя легковоспламеняющимися жидкостями во время его эксплуатации.
23. Для нормальной работы обогревателя уровень напряжения в электросети должен быть достаточен, а ее технические параметры должны быть в строгом соответствии с техническими параметрами, указанными на корпусе прибора. При необходимости выясните характеристики своей сети у поставщика электроэнергии.
24. Устанавливайте и эксплуатируйте обогреватель с горизонтальным расположением продольной оси на потолке, потолочных конструкциях, стене. При этом термостойкость материала должны быть не менее 80°C.
25. Запрещено устанавливать прибор в непосредственной близости от электрической розетки. Это может привести к её перегреву, что создаст аварийную ситуацию.
26. Прибор не предназначен для использования лицами (включая детей) с ограниченными физическими, сенсорными или умственными

возможностями, обладающими недостаточным опытом и знаниями, если они не находятся под наблюдением и не получили инструкций по использованию устройства от лица, ответственного за их безопасность. Необходимо следить, чтобы дети не играли с обогревателем.

### 3. РАБОЧИЕ ХАРАКТЕРИСТИКИ

#### Принцип работы

Инфракрасный обогреватель представляет собой прибор с электрическим нагревательным элементом и излучающими пластинами, которые при нагреве отдают тепло в окружающую среду посредством генерирования направленного инфракрасного излучения.

Лучистая энергия поглощается окружающими поверхностями и, превращаясь в тепловую энергию, нагревает их. Температура на поверхности предметов может быть различной в зависимости от их термоабсорбционных свойств (цвет поверхности, материал), угла падения инфракрасных лучей, формы и площади поверхности. Поверхности также отдают часть тепла воздуху, при этом нагретый воздух, поднимаясь к потолку, постепенно остывает, при этом на уровне головы стоящего человека температура воздуха оказывается на 1-2°C ниже температуры пола.

#### Основные особенности

1. Существенный экономический эффект по сравнению с конвекционным обогревом, где энергия существенно расходуется на обогрев неиспользуемого подпотолочного пространства, сначала нагревая воздух по всему объему помещения, а от него предметы и поверхности находящиеся в нем.
2. Возможность местного обогрева только тех площадей в помещении, в которых это необходимо без обогрева всего объема помещения.
3. Низкая температура воздуха в помещении при комфортной температуре на поверхности предметов, пола, стен, создает эффект свежести: воздух не высушивается.
4. Низкая конвекция (тепловое движение объемов воздуха) снижает количество пыли, поднимаемой с пола.
5. Высокий класс защиты прибора (IP65) позволяет применять прибор в средах с самыми неблагоприятными условиями.
6. Возможность использования прибора на переносной стойке. (Переносная стойка поставляется отдельно, как принадлежность)

## Технические характеристики

Технические характеристики инфракрасного обогревателя серии TIR HP1 приведены в таблице 1.

Таблица 1

Наименование	Ед. изм.	Модель	
		TIR HP1 1500	TIR HP1 1800
Номинальная потребляемая мощность	Вт	1500	1800
Номинальная сила тока	А	6,8	8,2
Номинальное напряжение	В/Гц	~220/50	~220/50
Степень защиты		IP65	IP65
Класс электрозащиты		I	I
Площадь обогрева	м <sup>2</sup>	14-16	17-19
Высота подвеса	м	2,0	2,2
Вес	кг	2,4	2,6
Размеры	мм	133x558x88	133x658x88

Более подробное описание технических параметров и характеристик смотрите на сайте [www.timberk.com](http://www.timberk.com) или спрашивайте у официальных дилеров Timberk.

Производитель оставляет за собой право для разных партий поставок без предварительного уведомления изменять комплектующие части изделия (включая заливаемые \ засыпаемые составляющие), не влияя при этом на основные технические параметры изделия или улучшая их, а также не нарушая изменениями принятые на территории страны производства \ транзита \ реализации стандарты качества и нормы законодательства. Это может повлечь за собой изменение веса и габаритов изделия, но не более чем на +\ -5-20% (могут отличаться для разного вида изделий).



### ПРИМЕЧАНИЕ:

Площадь обогрева в таблице указана ориентировочно, т.к. площадь обогрева зависит не только от мощности обогревателя, но и от типа помещения, высоты потолка, материала стен, потолка, количества и площади остекления, наличия дверей и др.

## 4. ОПИСАНИЕ ИНФРАКРАСНОГО ОБОГРЕВАТЕЛЯ (РИС. 3)

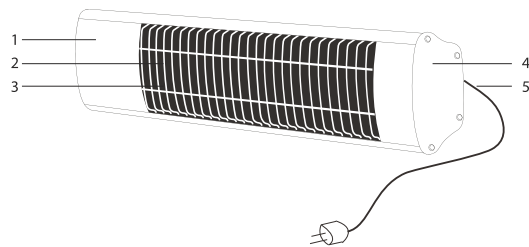


Рис. 1

1. Корпус обогревателя
2. Защитная решетка
3. Нагревательный элемент
4. Крышка
5. Сетевой шнур

### 5. КОМПЛЕКТ ПОСТАВКИ

1. Инфракрасный обогреватель – 1 шт
2. Крепежный комплект – 1 шт.
3. Руководство по эксплуатации – 1 шт
4. Гарантийный талон – 1 шт
5. Упаковка – 1 шт



### ПРИМЕЧАНИЕ:

Для улучшения качества продукции, конструкция и технические характеристики инфракрасного обогревателя, а также его комплектация могут быть изменены производителем без предварительного уведомления.

### Область применения

Инфракрасные обогреватели предназначены для основного, дополнительного и местного обогрева промышленных, производственных, бытовых и аналогичных помещений (квартиры, офисы, предприятия торговли, спортзалы, учебные заведения, предприятия общественного питания, склады, ангары, предприятия агропромышленного комплекса и т.п.), а также могут быть использованы на открытом воздухе.

## 6. УСТАНОВКА

### ! ВНИМАНИЕ!

Работы по монтажу инфракрасного обогревателя и подключению его к электрической сети должны производить только квалифицированные специалисты в соответствии с «Правилами устройства электроустановок» и «Правилами техники безопасности при эксплуатации электроустановок».

1. Раскройте заводскую упаковку и аккуратно извлеките из нее обогреватель.
2. Достаньте крепежный комплект (см. п. 6.2)
3. Соберите установочный настенный крепеж как показано на рис. 2
4. Присоедините крепеж согласно инструкции, показанной на рис. 3, 4, 5 к корпусу обогревателя.
5. Подвесьте обогреватель на ровную поверхность стены с соблюдением расстояний, указанным в п. 6.1. Убедитесь, что крепежные винты прочно закреплены.
6. При необходимости установки обогревателя на переносную стойку следуйте инструкциям, показанным на рис. 6, 7, 8, 9 и см. п. 6.3

### + ПРИМЕЧАНИЕ:

В зависимости от материала и устройства потолочных конструкций, обогреватель крепится на соответствующие крепежные элементы, выбираемые из условия прочности. Прочность потолка, либо конструкций, за которые крепится обогреватель, должна быть достаточной, чтобы выдерживать 5-кратную массу обогревателя.

### 6.1 Безопасное расстояние, необходимое для установки

1. Никогда не устанавливайте прибор на поверхности из пластика, нейлона, картона и др.
2. После установки прибора расстояние от пола должно быть не менее 1,8 метра.
3. Расстояние от стены до прибора должно быть не менее 0,65 метра.
4. Расстояние от прибора до потолка должно быть не менее 0,3 метра.
5. Расстояние от защитной решетки прибора до легко воспламеняемых (ткань, бумага, пластик и др.) и горючих материалов должно быть не менее 1,5-2 метра.
6. Расстояние от прибора до нахождения человека должно быть не менее 1 метра.

### 6.2 Установка обогревателя с помощью настенного крепежа

Комплект установочного настенного крепежа приведен в Таблице 2

Таблица 2

№	Наименование	Описание	Кол-во
1	Саморез	M6x20	1
2	Установочная скоба	Алюминиевый	1
3	Анкерный болт	M6x60	2
4	Подвес	Стальной	1
5	Болт	M8x60	1
5A	Гайка	M8	1

На рисунках 2, 3, 4, 5 показана поэтапная инструкция по сборке и установке настенного крепежа для инфракрасного обогревателя.

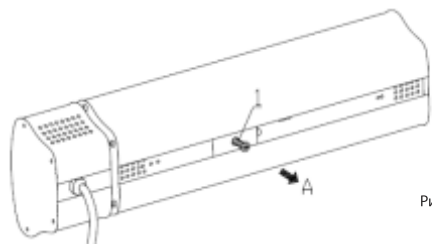


Рис. 2

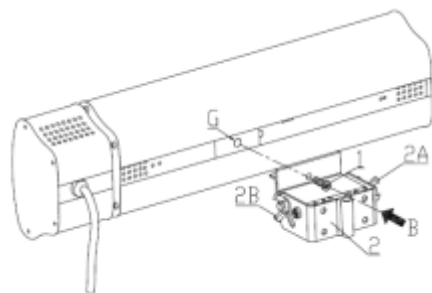


Рис. 3

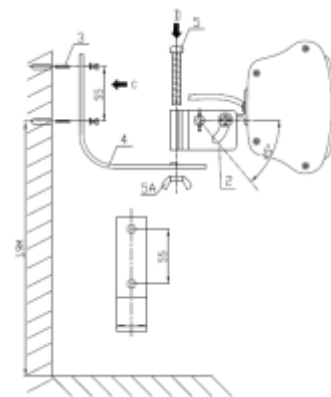


Рис. 4

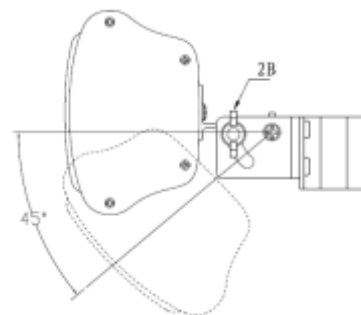


Рис. 5

### 6.3 Установка инфракрасного обогревателя на переносную стойку

Комплект установочного крепежа на стойку приведен в Таблице 3

Table 3

№	Наименование	Описание	Кол-во
1	Саморез	M6x20	1
2	Установочная скоба	Алюминиевый	1
3	Анкерный винт	M6x60	2
4	Крюк	Стальной	1
5	Винт	M8x60	1
5A	Гайка	M8	1
6	Гайка	M6	4
7	Держатель 3	Алюминиевый	1
8	Винт	M6x10	12
9	Установочная телескопическая трубка	Стальной	1
10	Телескопическая трубка	Стальной	1
11	Телескопическая трубка	Стальной	1
12	Подставка	Пластик	1
13	M8 винт	L shrae	1
14	Крепежная пластина	Стальной	1
15	Нижняя крышка	Стальной	1
16	Винт	M6x50	3
17	Шайба пружины	Ф6.2xФ8.2x1	3
18	Шайба	Ф6.2xФ14x1	3
19	Декоративная крышка	Стальной	1
20	Шестигранный ключ	Стальной	1
21	Держатель провода	PA	2
22	Крышка	Силикон	1

На рисунках 6, 7, 8, 9 показана поэтапная инструкция по сборке и установке инфракрасного обогревателя на переносную стойку.

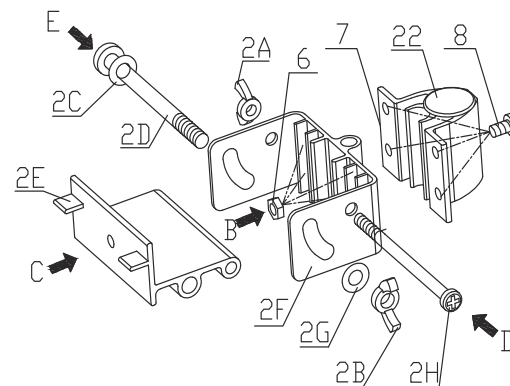


Рис. 6

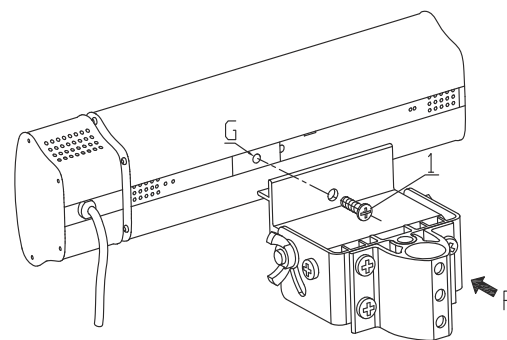


Рис. 7

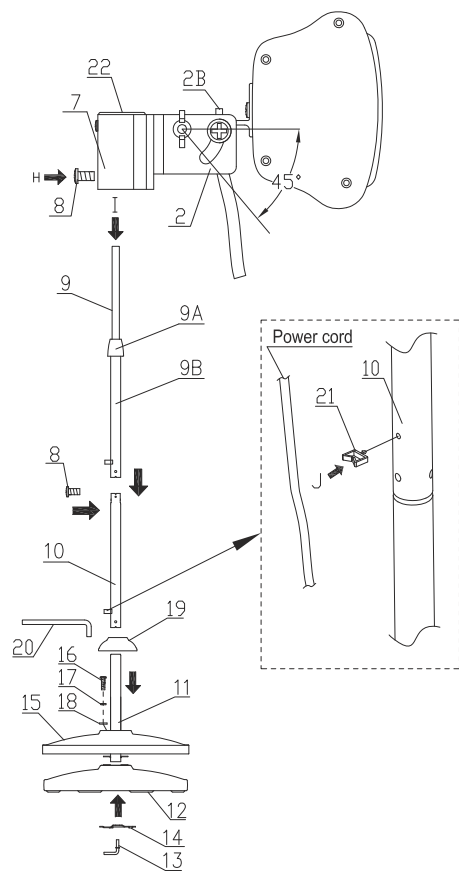


Рис. 8

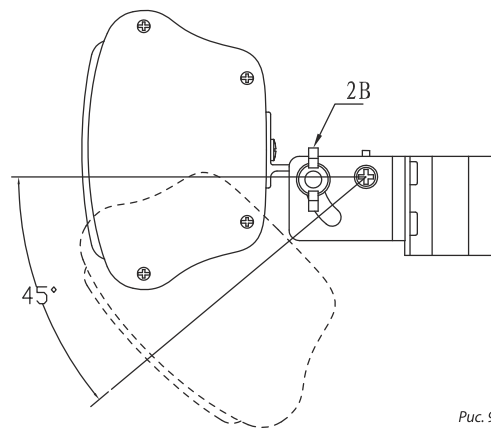


Рис. 9



### Подключение к электрической сети

1. Инфракрасный обогреватель рассчитан на подключение к электрической сети с однофазным напряжением ~220 В.
2. Перед подключением убедитесь, что параметры электросети в месте подключения соответствуют параметрам, указанным на маркировочной табличке с техническими данными прибора.
3. При подключении конвектора к электрической сети следует соблюдать действующие правила электробезопасности.
4. Электрическая розетка должна быть правильно заземлена. Розетка должна быть рассчитана на номинальный ток не менее 16А для моделей с максимальной мощностью до 2000 Вт. Электрические розетка и вилка должны всегда оставаться сухими во избежание утечки электрического тока. Регулярно проверяйте, что электрическая вилка плотно подключена к розетке. Проверку производите в следующем порядке: вставьте электрическую вилку в розетку, через полчаса работы выключите инфракрасный обогреватель и выньте вилку из розетки, проверьте рукой, не нагрелась ли вилка. Если вилка нагрелась до температуры выше 50°C, во избежание повреждений, происшествий, возникновения пожара в результате плохого электрического контакта замените розетку на другую. Это должен делать специалист.

## 7. ЭКСПЛУАТАЦИЯ ИНФРАКРАСНОГО ОБОГРЕВАТЕЛЯ

### ВНИМАНИЕ!

Пожалуйста, подключайте кабель питания к розетке с номинальным напряжением 3P 230V 16A IP67 (IEC 60309-2)

1. Перед включением обогревателя убедитесь в отсутствии влаги на корпусе прибора и на нагревательном элементе.
2. После первого включения обогревателя на короткое время может появиться жженный запах. Это нормально. Если запах сохраняется длительное время, немедленно отключите обогреватель от электрического питания и обратитесь в сервисную службу.

3. Для исключения появления жженого запаха при использовании обогревателя в будущем рекомендуется содержать его в чистоте, не допуская скапливания на нем пыли.
4. В течение нескольких минут после включения обогревателя, на нагревательном элементе могут появиться черные точки. Это нормально и не влияет на работу прибора.
5. Не рекомендуется долго смотреть на нагревательный элемент обогревателя, это может вызвать ухудшения зрения и порчу здоровья.

### ВНИМАНИЕ!

При эксплуатации могут быть слышны легкие потрескивания в момент нагрева или остывания, исчезающие с выходом обогревателя на рабочий режим.

## 9. УСТРАНЕНИЕ НЕИСПРАВНОСТЕЙ

Возможные неисправности и методы их устранения приведены в таблице 4.

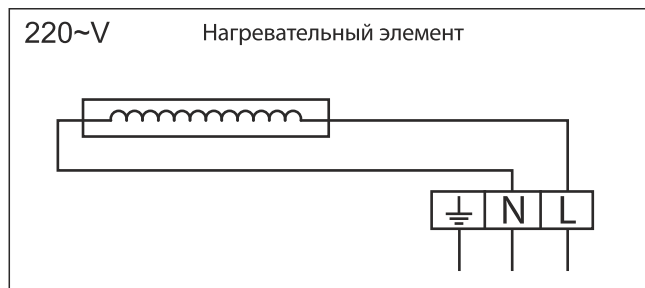
Таблица 4

Неисправность	Причина	Способ устранения
1. Обогреватель плохо греет	1. Неисправен нагревательный элемент 2. Низкое напряжение в электросети	1. Обратиться в авторизованный сервисный центр "Timberk" 2. Проверить напряжение в электросети
2. Обогреватель не работает	1. Отсутствует напряжение в электросети 2. Обрыв сетевого шнура 3. Обрыв в цепи нагревательного элемента	1. Проверить наличие напряжения в электросети 2. Проверить целостность сетевого шнура и при необходимости обратитесь в авторизованный сервисный центр производителя 4. Обратиться в авторизованный сервисный центр "Timberk"

Если неисправность не удается устранить в соответствии с рекомендациями или при возникновении других неисправностей обратитесь в авторизованный сервисный центр "Timberk".

## 10. ПРИНЦИПИАЛЬНАЯ ЭЛЕКТРИЧЕСКАЯ СХЕМА

TIR HP1 1500/1800



## 11. УТИЛИЗАЦИЯ

По окончании срока службы инфракрасный обогреватель следует утилизировать в соответствии с нормами, правилами и способами, действующими в месте утилизации. Подробную информацию по утилизации инфракрасного обогревателя Вы можете получить у представителя местного органа власти.

## 12. ГАРАНТИЯ

Гарантийный срок работы прибора смотрите в гарантийном талоне



IP65



Класс защиты I

## 12. ИНФОРМАЦИЯ О СЕРТИФИКАЦИИ

### Изделие соответствует директиве ЕЕС 89/336, касающейся электромагнитного оборудования

Гарантируется безотказная работа изделия в соответствии со сроками, указанными в гарантийном талоне. Обязательно ознакомьтесь с условиями гарантии и требуйте от продавца правильного и четкого заполнения гарантийного талона.

### Гарантийный талон вложен в упаковку изделия

Timberk снимает с себя любую ответственность за возможный вред, прямо или косвенно нанесенный продукцией Timberk людям, домашним животным, имуществу в случае, если это произошло в результате несоблюдения правил и условий эксплуатации, установки изделия, умышленных или неосторожных действий потребителя или третьих лиц.

### Товар сертифицирован на территории России органом по сертификации: рег. № РОСС RU.0001.11AB71

ПРОДУКЦИИ ООО «ОПТИМАТЕСТ».

Фактический адрес: 123308, г. Москва, ул. Мневники, д. 3, корп. 1, оф. 323; Юридический адрес: 115162, г. Москва, Павла Андреева ул., дом №28, корпус 4, тел. +7 495 6044266, факс +7 495 6044266

Орган по сертификации может обновляться ежегодно. При отсутствии копии нового сертификата в коробке, спрашивайте копию у продавца

### Товар соответствует требованиям нормативных документов:

ГОСТ Р 52161.2.30-2007

ГОСТ Р 51318.14.1-2006 p.4

ГОСТ Р 51318.14.2-2006 p.5,7

ГОСТ Р 51317.3.3-2008

ГОСТ Р 51317.3.2-2006 p.6,7

№ сертификата: TCRU C-IL.AB71.B.00079

Сертификат обновляется ежегодно. При отсутствии копии нового сертификата в коробке, спрашивайте копию у продавца

**Срок действия:** с 05.07.2012 по 04.07.2015

### Изготовитель:\*

«Тимберк Хоум Хиатинг Эпплаенсис Компани» Хамасгер стрит, 10, Эйлат, Израиль 88000

Телефон/факс +972-8-637-88-311

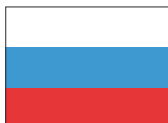
### Импортёр\*:

ООО «Гольфстрим»

Адрес: г. Москва, ул. Кожевническая, дом 1, стр.1, офис 606  
телефон/факс (499) 638-26-77

**По вопросам сервисной поддержки и качества приобретенного товара просьба обращаться по телефону:**  
+ 7 (495) 6275285

*\* Данные могут быть изменены в связи со сменой производителя, продавца, производственного филиала и/или импортёра в РФ и/или страны ЕТС. Актуальную информацию Вы можете получить из содержания действующего на момент продажи сертификата соответствия, а также из данных этикетки, которой маркируется упаковка изделия до даты последующей продажи дистрибьютором на территории РФ или стран ЕТС.*



**RU**

Руководство по эксплуатации техники Timberk написано на английском языке и переведено на русский язык.

В целях информирования покупателей техники Timberk, мы дополнительно сообщаем, что русский является государственным языком в следующих государствах:

1. в Российской Федерации
2. в Республике Беларусь наряду с белорусским языком
3. в частично признанной Южной Осетии наряду с осетинским языком



**BY**

Русский язык является официальным языком (во всех случаях другой язык или другие языки выступают как государственный или второй официальный) в следующих государствах и на территориях:

1. в Республике Казахстан
2. в Киргизской Республике
3. в административных единицах Украины, где доля носителей русского языка составляет более 10%, при соответствующем решении местных советов
4. в Автономной Республике Крым



**UA**



**TJ**

В Республике Таджикистан русский язык признан по Конституции языком межнационального общения.



**KG**



**KZ**



**UA**



**AK**



**CIS**

Официальным языком международной организации Содружество Независимых Государств (СНГ) является русский язык.

timberk

A series of horizontal dotted lines for writing.

timberk

timberk

Handwriting practice lines consisting of 20 horizontal dotted lines.

timberk

[www.timberk.com](http://www.timberk.com)

