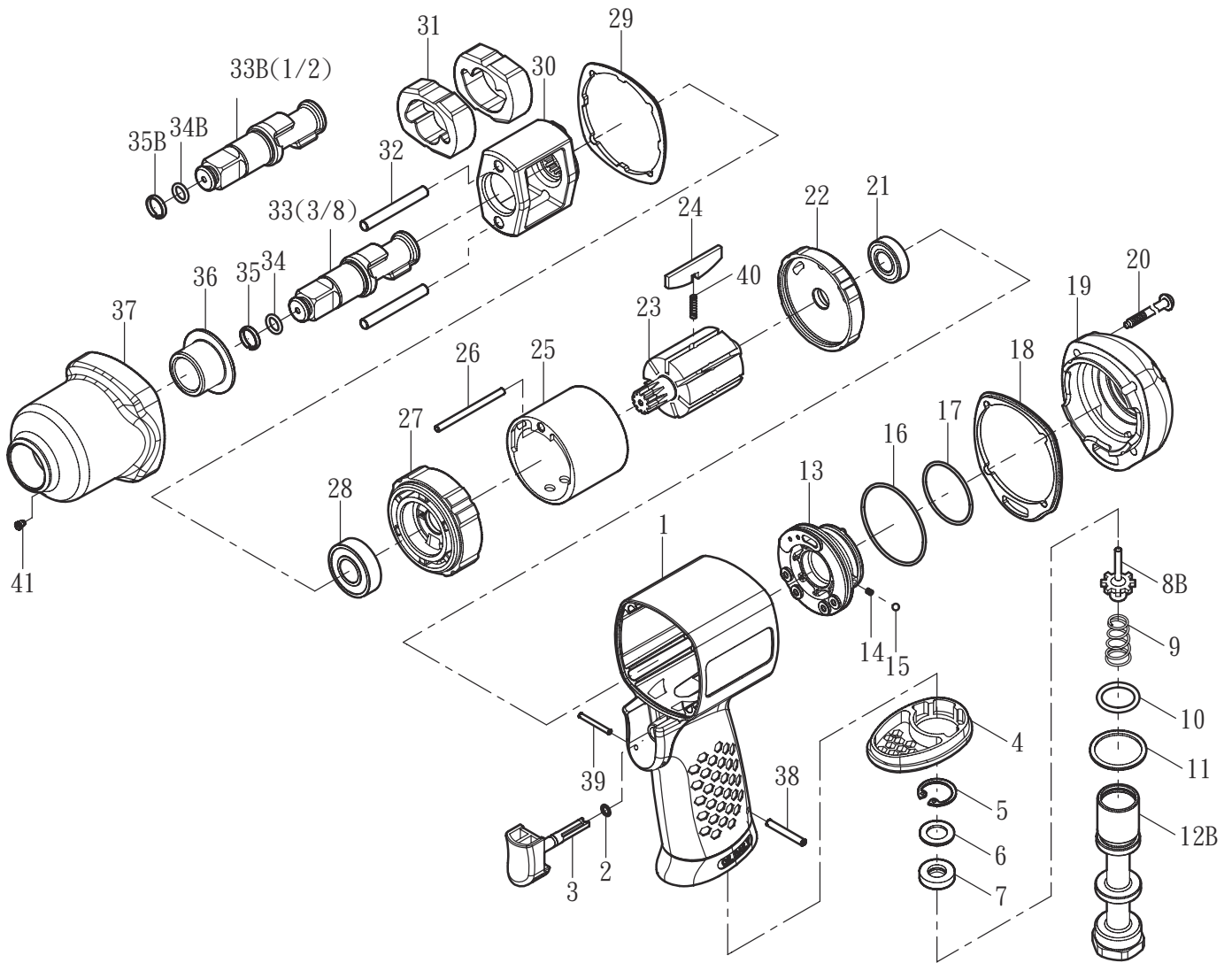


Technical Details	Speed	Square Drive	Max. Torque	Length	Weight	Air Consumption	Air Inlet	Noise (DB)	Uncertainty(DB)	Vibration	Working Pressure
	RPM		Nm/ft-lb	mm/inch	kg/lb	LPM / CFM	inch	LpA LwA	KpA KwA	m/s <sup>2</sup>	Bar / PSI
<b>23237</b>	11,000	3/8	610 (450)	160 (6.3)	1.3 (2.9)	120 (4.2)	1/4	89.5 100.5	3	4.76	6.3(90)
<b>24237</b>		1/2	680 (500)							4.62	



Index No.	Description	Quantity	Index No.	Description	Quantity	Index No.	Description	Quantity
01	Housing	1	17	O-Ring	1	33	Anvil (3/8")	1
02	O-Ring	1	18	Packing	1	33B	Anvil (1/2")	1
03	Trigger	1	19	Cover	1	34	O-Ring for 3/8" Anvil	1
04	Exhaust Deflector	1	20	Screw	4	34B	O-Ring for 1/2" Anvil	1
05	Retaining Ring	1	21	Ball Bearing	1	35	Anvil Collar for 3/8" Anvil	1
06	Washer	1	22	Rear Plate	1	35B	Anvil Collar for 1/2" Anvil	1
07	Oil Seal	1	23	Rotor	1	36	Bushing	1
08B	Pin Valve Rod	1	24	Blade	7	37	Front Casing	1
09	Cone Spring	1	25	Cylinder	1	38	Spring Pin	1
10	O-Ring	1	26	Spring Pin	1	39	Spring Pin	1
11	Washer	1	27	Front Plate	1	40	Spring	7
12B	Air Inlet	1	28	Ball Bearing	1	41	Oil Drop	1
13	Reverse Lever	1	29	Packing	1			
14	Spring	1	30	Hammer Cage	1			
15	Steel Ball	1	31	Hammer	2			
16	O-Ring	1	32	Hammer Pin	2			